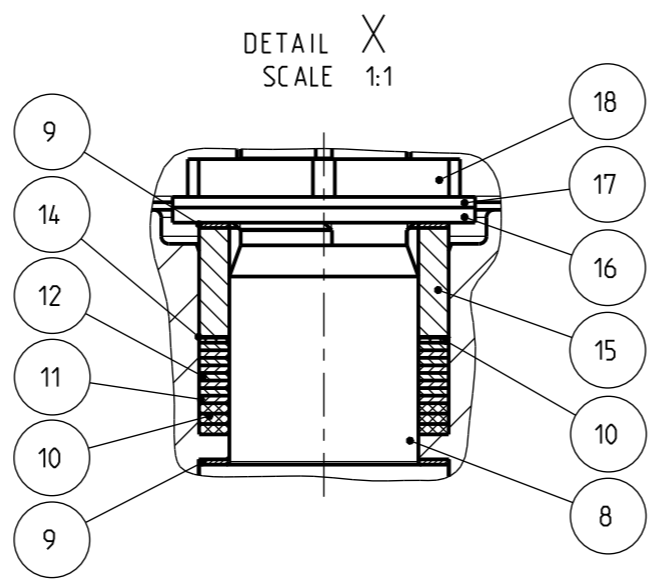
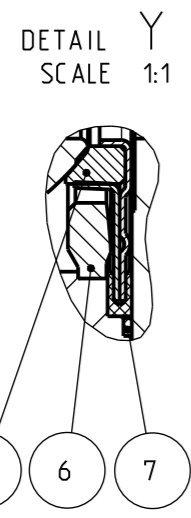
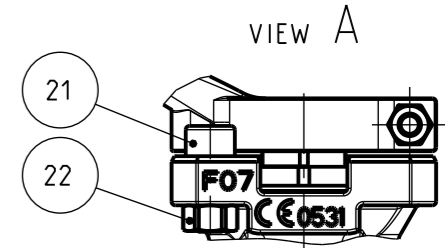
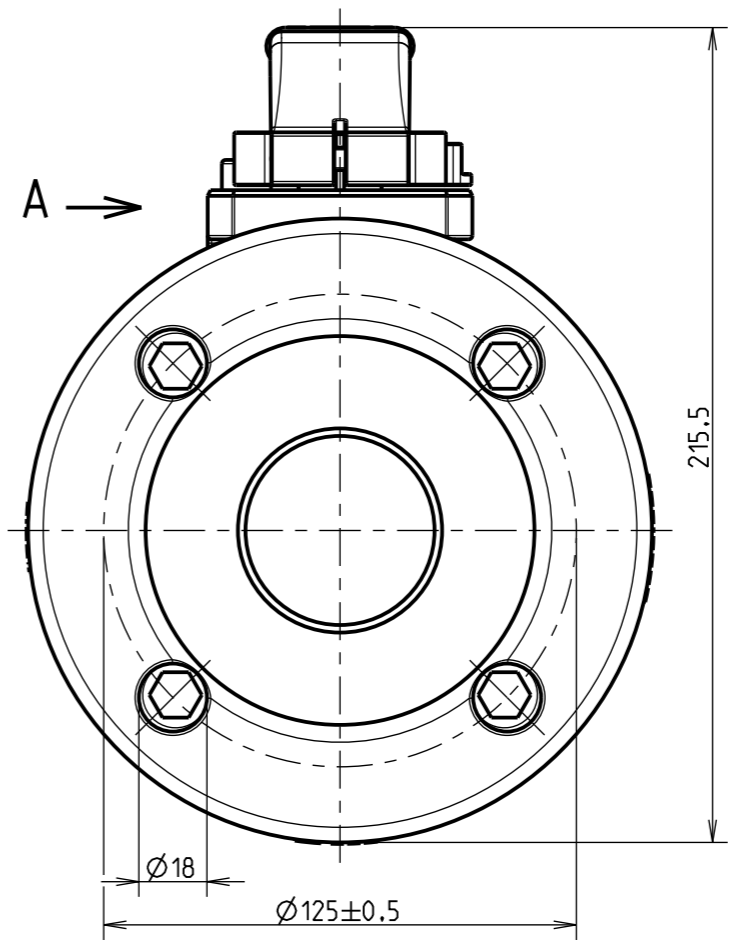
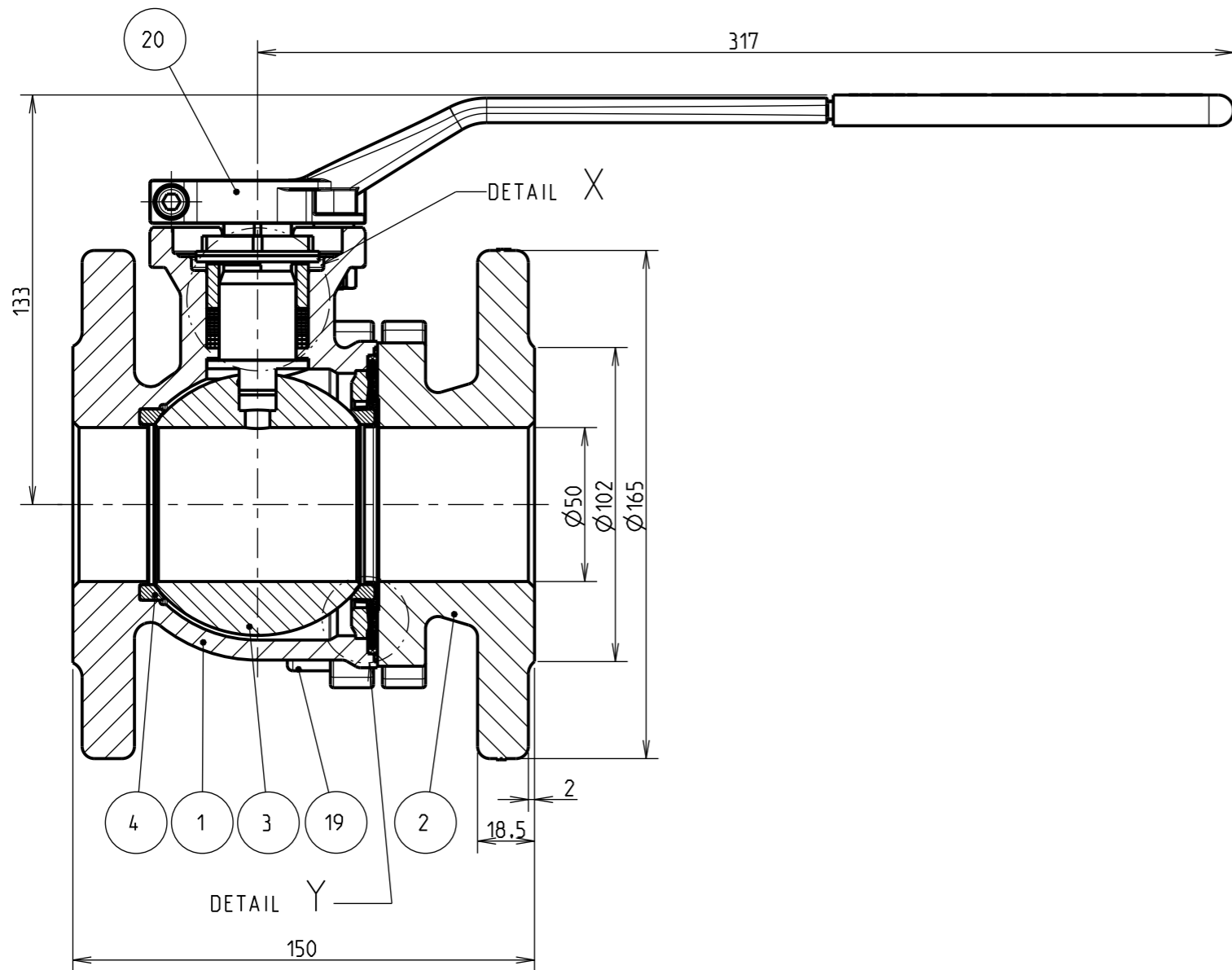


# Klinger Ballvalve type KHE-FK 50 PN40 VIII-KFC/FS-LABYR with lever

Gedruckt von santag am 21.08.2019

Model: WOH33673\_KHEFK050\_VIII\_E\_STL  
Drawing: WOH33673\_KHEFK050\_VIII\_E\_STL

Urheberschutz nach  
Copy right acc. to  
Droit d'auteur selon  
ISO 16016



22	1	Hexagon nut	A4
21	1	Hex. socket head cap scr.	A4-70 / 316 Ti
20	1	Hand Lever 17 KHE DN50/65	1.4057/Vinyl
19	4	Hex. socket head cap scr.	8.8-VZD
18	1	Stuffing box nut	1.4404
17	1	Belleville washer	1.4310
16	1	Disc	1.4404
15	1	Thrust ring	1.4404
14	1	Disc	1.4401
12	4	Disc	1.4401
11	4	Joint ring	K-Flon
10	4	Washer	Grafit
9	2	Washer	KFC-15
8	1	Operating stem 65	1.4104
7	1	Sealing ring	Grafit
6	1	Supporting ring	SINT C39 Spez.
5	1	Sealing element	X
4	1	Sealing ring	KFC-25
3	1	Ball KHA/KHE	1.4401
2	1	flanged end piece short 50 PN40	1.0619
1	1	Body KHE-FK 50 PN40	1.0619
Pos.	Qua.	Name	Material

Certifications:  
Fire Safe API 607 4th edition  
EN ISO 10497

Gez. :21.08.19 Santa

**WOH33673**